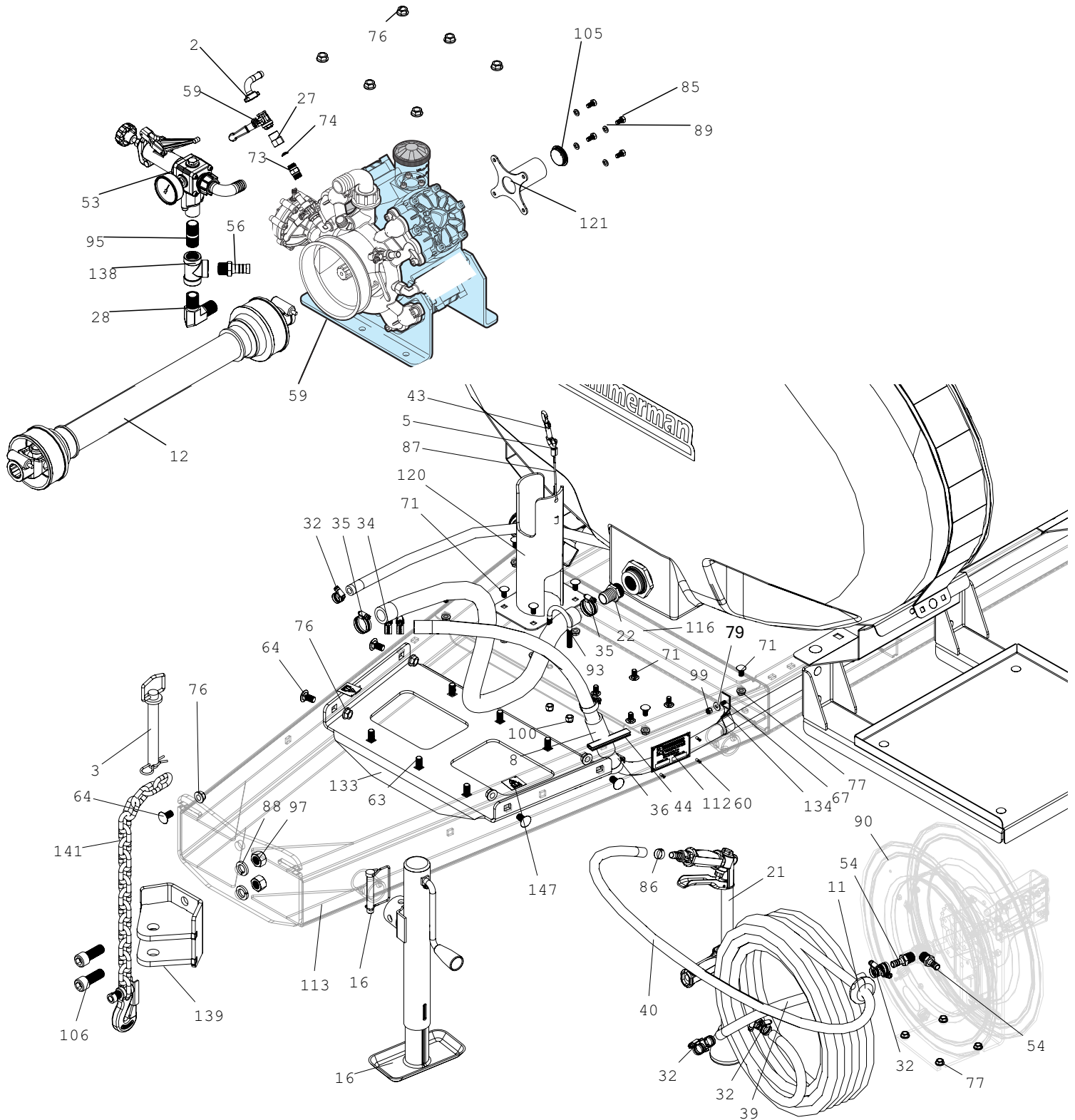
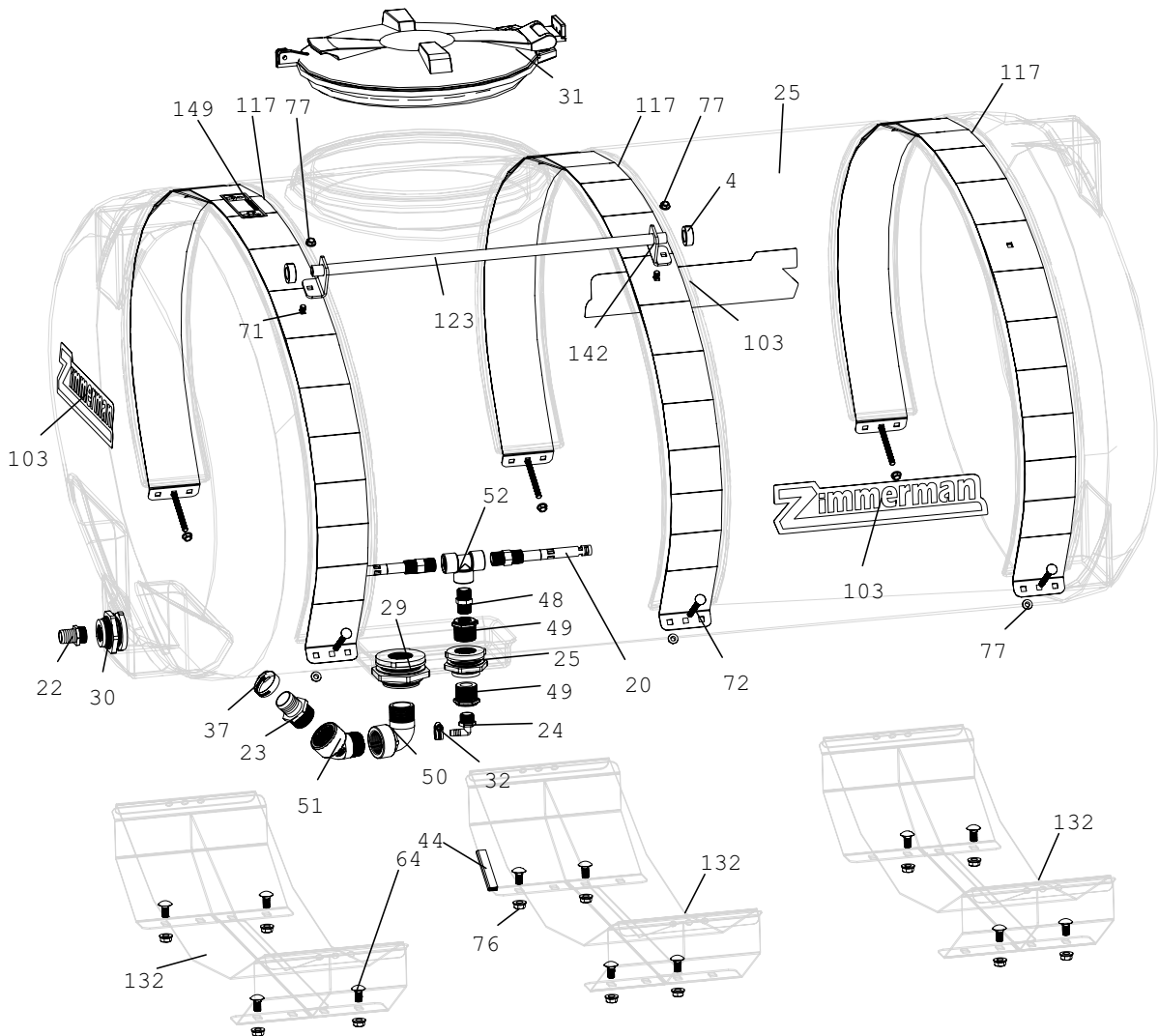
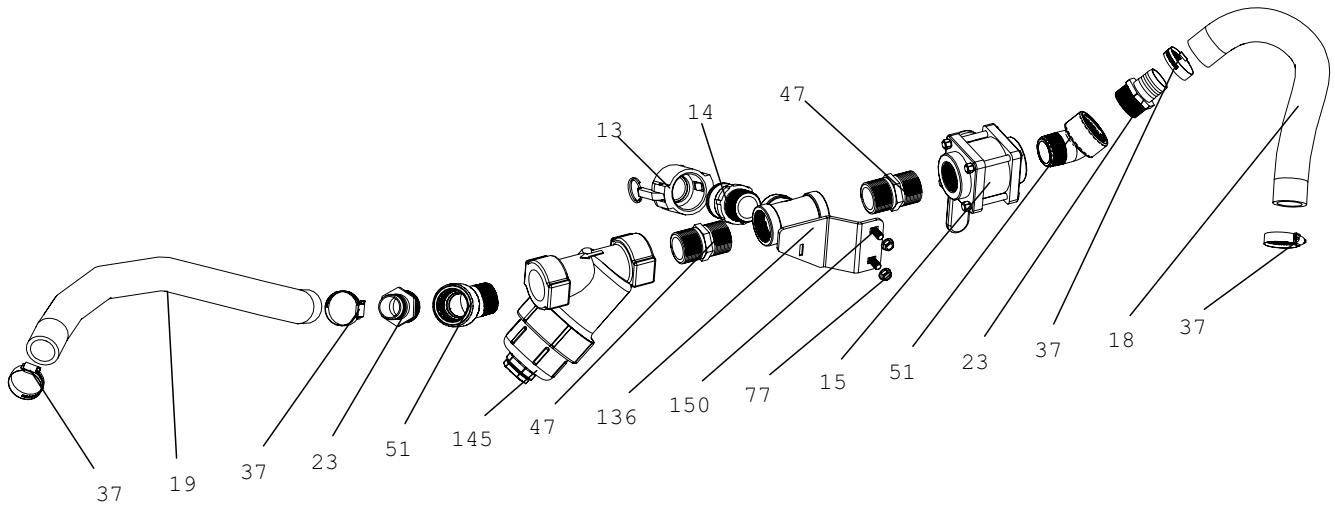


PHX500T-1 Breakdown

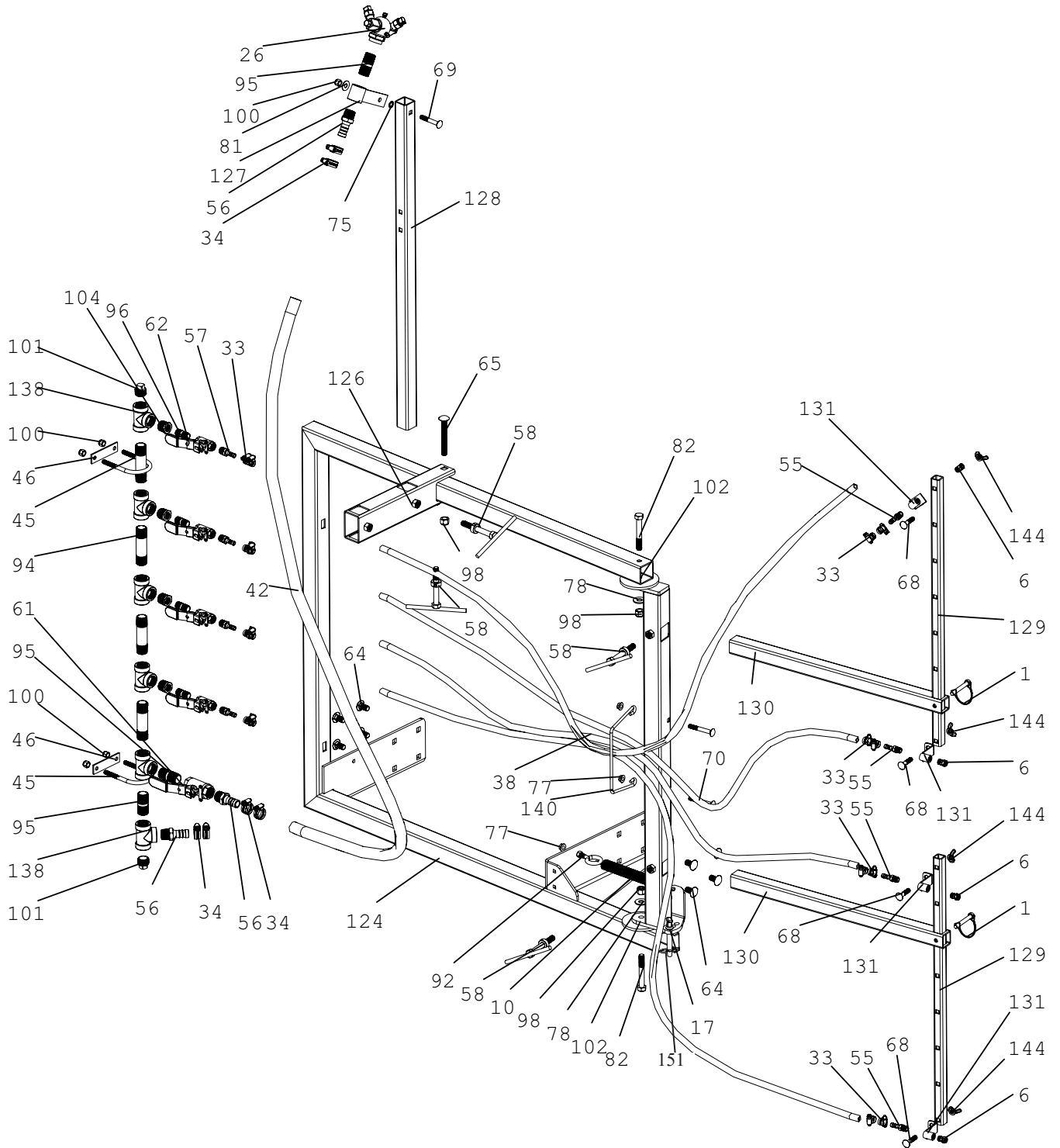
500 gallon trailer, poultry house washer



PHX500T-1 Breakdown



PHX500T-1 Breakdown



PHX500T-1 Breakdown

Ref#	Qty.	Part Number	Description
1	2	00265	D-lock pin, 3/8" x 2 1/4"
2	1	006530	Elbow hose adapter, 1/2" HB, 1/2" bsp fly nut
3	1	01788	Hitch pin 7/8" x 6-1/4" high-stress
4	2	0875P	Shaft collar 7/8"
5	1	09203	Sleeve, Hour glass 1/8" Aluminum
6	4	1/4MEG4010	Washjet Nozzle, 40 degrees, 1/4" MPT, #10
7	5.5 FT	1008	Hose, EPDM Rubber 1/2" 300 PSI
8	.34 FT	1016	Hose, EPDM Rubber 1" 300 PSI
9	3.5 FT	1016	Hose, EPDM Rubber 1" 300 PSI
10	1	12546	Spring, extension
11	1	131-4	Hose Stop
12	1	T1067	Poultry House Washer, PTO Driveline
13	1	150DCS	Female cap, 1 1/2" female
14	1	150F	Camlock Fitting, Male x 1 1/2" MPT, poly
15	1	150FP	1 1/2" full port ball valve
16	1	158109	Jack (weld-on) tube mount, 2000 lb
17	1	18812	Hitch pin, 1/2" x 2 1/4"
18	2 FT	3112	Hose, Suction EPDM Blend 1-1/2" 60 PSI
19	3.25 FT	3112	Hose, Suction EPDM Blend 1-1/2" 60 PSI
20	2	33710019	Agitator, Jet
21	1	3381-0010 *	Spray gun, adjustable pattern, 1/2" MNPT inlet
22	1	3A100	Poly hose adapter 1" MPT x 1" barb
23	3	3A112	Poly hose adapter 1 1/2" MPT x 1 1/2" barb
24	1	3EL3412	3/4" MP x 1/2" barb poly hose adapter
25	1	40328OH	Elipctical tank, 500 gallon, 5" sump, white
26	1	4418-34-2TOC10	Swivel Spray Nozzle, brass
27	1	467638	Adapter, brass, 3/8" FPT x 11/16" FNT
28	1	5500X1212	Hydraulic Elbow, 90 degree, 3/4" mpt x 3/4"mpt
29	1	60124	Tank fitting, 1 1/2" FPT, double tap, requires a 3" hole
30	1	60427	Fitting, Bulkhead 1" FPT Dbl Tap (Requires 2-1/4" Hole)
31	1	63390	Lid, 16" Hinged Tank Ventless w/ Ring
32	8	6806052	Hose clamp SS 3/8"-7/8"
33	16	6806052	Hose clamp SS 3/8"-7/8"
34	8	6812052	Stainless hose clamp, 1/2" - 1 1/4"
35	2	6816052	Stainless hose clamp, 11/16" - 1 1/2"
36	2	6820052	Hose clamp 3/4" - 1 3/4", stainless
37	4	6832	Hose clamp 3/4" - 1 3/4", stainless
38	34 FT	7006800	PVC high pressure hose, 3/8" ID, 5/8" OD, 800psi, 130 F
39	1.75 FT	7008800	PVC high pressure hose, 1/2" ID, 13/16" OD, 800psi, 130 F
40	48.25 FT	7008800	PVC high pressure hose, 1/2" ID, 13/16" OD, 800psi, 130 F
41	11 FT	7012800	PVC high pressure hose, 3/4" ID, 1 1/8" OD, 800psi, 130 F
42	9 FT	7012800	PVC high pressure hose, 3/4" ID, 1 1/8" OD, 800psi, 130 F
43	1	7606011	Zinc plated snap, open eye bolt
44	1.36 FT	8451A53	Trim, Push-on Rubber w/Steel Core 5/64" - 13/64"

*See support page for component breakdown.

PHX500T-1 Breakdown

Ref#	Qty.	Part Number	Description
45	2	8875T26	Bolt, U-Bolt 3/8" x 2-1/2" x 4 11/16" Zinc, without plate
46	2	8875T919	U-bolt mounting plate, zinc, 3/8-16 x 2 1/2" ID U-bolt
47	2	8M112	Poly nipple, 1 1/2" NPT x short, sch 80
48	1	8M34	Nipple, 3/4" MPT x Close Sch 80 Poly
49	2	8RB11434	Bushing, Reducer 1-1/4" MPT x 3/4" FPT Sch 80 Poly
50	1	8SE112	Poly street elbow 1 1/4" NPT sch 80
51	3	8SE11245	Elbow, Street 45° 1-1/2" NPT Sch 80 Poly
52	1	8TT34	3/4" Poly tee, sch. 80
53	1	9910GH50 *	Control unit, with regulating valve, bypass control lever, pressure gauge
54	2	A1212SS	Adapter, 1/2" MPT x 1/2" HB, stainless
55	4	A1438SS	Adapter, 1/4" MPT x 3/8" HB
56	4	A3434SS	Adapter, 3/4" MPT x 3/4" HB, stainless
57	4	A3838SS	Adapter, 3/8" MPT x 3/8" HB, stainless
58	4	BF10S20	T-bolt 1/2"
59	1	BHA170-C/C *	Pump, 4 diaphragm
60	4	BTT44	Pop Rivit, 1/8" x 3/16"-1/4"
61	1	BV34S	Ball valve, stainless steel, 3/4" FPT, 1000psi
62	4	BV38S	Ball valve, 3/8" FPT, 304 stainless, 800psi, 450 degrees F
63	6	CB12*114G5	Carriage bolt, 1/2-13 x 1 1/4" grade 5
64	25	CB12*1G5	Carriage bolt, 1/2-13 x 1" grade 5
65	1	CB12*4G5	Carriage bolt, 1/2-13 x 4" grade 5
66	8	CB12*5G5	Carriage bolt, 1/2-13 x 5", grade 5
67	3	CB14*34	Carriage bolt, 1/4-20 x 3/4" grade 2
68	4	CB38*134G5	Carriage bolt, 3/8-16 x 1 3/4" grade 5
69	1	CB38*212G5	Carriage bolt, 3/8-16 x 2 1/2" grade 5
70	2	CB38*234G5	Carriage bolt, 3/8-16 x 2 3/4", grade 5
71	24	CB38*34G5	Carriage bolt, 3/8-16 x 3/4" grade 5
72	6	CB38*412G5	Carriage bolt, 3/8-16 x 4 1/2" grade 5
73	1	CP1324	Threaded nozzle body adapter, brass
74	1	D10	Orifice disk, Hardened stainless steel, .156" orifice
75	1	EW38	External-tooth lock washer, 3/8"
76	31	FN12	Flange nut, 1/2-13
77	35	FN38	Flange nut, 3/8-16
78	10	FW12	Flat washer, 1/2"
79	5	FW14	Flat washer, 1/4"
80	2	FW34	Flat washer, 3/4"
81	1	FW38	Flat washer, 3/8"
82	2	H5C12*312	Hex head bolt, 1/2-13 x 3 1/2" grade 5
83	1	H5C14*1	Hex bolt, 3/8-16 x 7", grade 5
84	2	H5C34*412	Hex bolt 1/2-13 x 7 1/2" Gr 5
85	4	H8*16M	Bolt, Hex 8mm x 16mm 1.25 Pitch 10.9 Zinc
86	1	6806052	Hose Clamp, 1/2" - 29/32" SS
87	1	LS96-6	Cable, Wire SS 1/8" 7 x 7
88	2	LW34G8	Lock washer, 3/4", grade 8

*See support page for component breakdown.

PHX500T-1 Breakdown

Ref#	Qty.	Part Number	Description
89	4	LW516	Lock washer, 5/16"
90	1	MPL-N-450	Hose Reel, Automatic Rewind
91	2	MR14*58	Machine screw, 1/4-20 x 5/8"
92	1	N221267	Eye bolt, 3/8" x 4"
93	1	N222190	Bolt, U-Bolt Round 3/8-16 x 2" x 3-1/2" Zinc
94	4	N34X4S	Pipe nipple, 3/4" MPT x 4" long, stainless
95	4	N34XCLS	Pipe nipple, 3/4" MPT, close, stainless
96	4	N38XCLS	Pipe nipple, 3/8" NPT x close, stainless
97	2	NC34G8	Hex nut, 3/4-10, grade 8
98	3	NNC12	Nylon lock nut, 1/2-13
99	8	NNC14	Nylon lock nut, 1/4-20
100	7	NNC38	Nylon lock nut 3/8-16
101	2	P34S	Pipe plug, 3/4" MPT, stainless
102	2	PA1426	Yoke friction plate, UHMW
103	3	PBZLOGO-17x4	Decal, Zimmerman Logo 17" x 4"
104	4	RB3438S	Reducer, 3/4 MPT x 3/8 FPT, stainless
105	1	RT14	1" pipe cap
106	2	SCC34*2	Socket head cap screw, 3/4-10 x 2"
107	1	SMVB	SMV spade
108	1	SMVM	SMV sign, steel
109	1	SMVS	SMV socket
110	8	SNC12	Steel lock nut, 1/2-13
111	2	SNC34	Steel lock nut, 3/4-10
112	1	SP501	Plate, Serial Number, Zimmerman
113	1	T1040	Poultry House Sprayer, Main Frame
114	2	T1041	Axle clamp, 4000 lbs spindle
115	2	T1043	Poultry House Sprayer, Spindle, 4000 lbs, bolt-on
116	1	T1044	Poultry House Sprayer, Platform
117	3	T1048	Poultry House Sprayer, tank strap
118	2	T1049	Poultry House Sprayer, side platform support
119	1	T1050	Poultry House Sprayer, Side Platform
120	1	T1051	Poultry House Sprayer, spray gun holder
121	1	T1052	Pump spindle shield
122	1	T1053	Poultry House Sprayer, SMV mount
123	1	T1054	Poultry House Sprayer, Handrail tube
124	1	T1055	Poultry House Sprayer, spray main frame
125	1	T1056	Poultry House Sprayer, side spray bar holder
126	1	T1058	Poultry House Sprayer, top spray nozzle mount clamp
127	1	T1059	Poultry House Sprayer, Vertical Nozzle Mount
128	1	T1060	Poultry House Sprayer, vertical nozzle extension
129	2	T1061	Poultry House Sprayer, Side nozzle spray bar
130	2	T1062	Poultry House Sprayer, side spray extension
131	4	T1063	Poultry House Sprayer, Side nozzle mounting bracket
132	3	T1066	Poultry House Sprayer, Tank saddle, 500 gallon elliptical

*See support page for component breakdown.

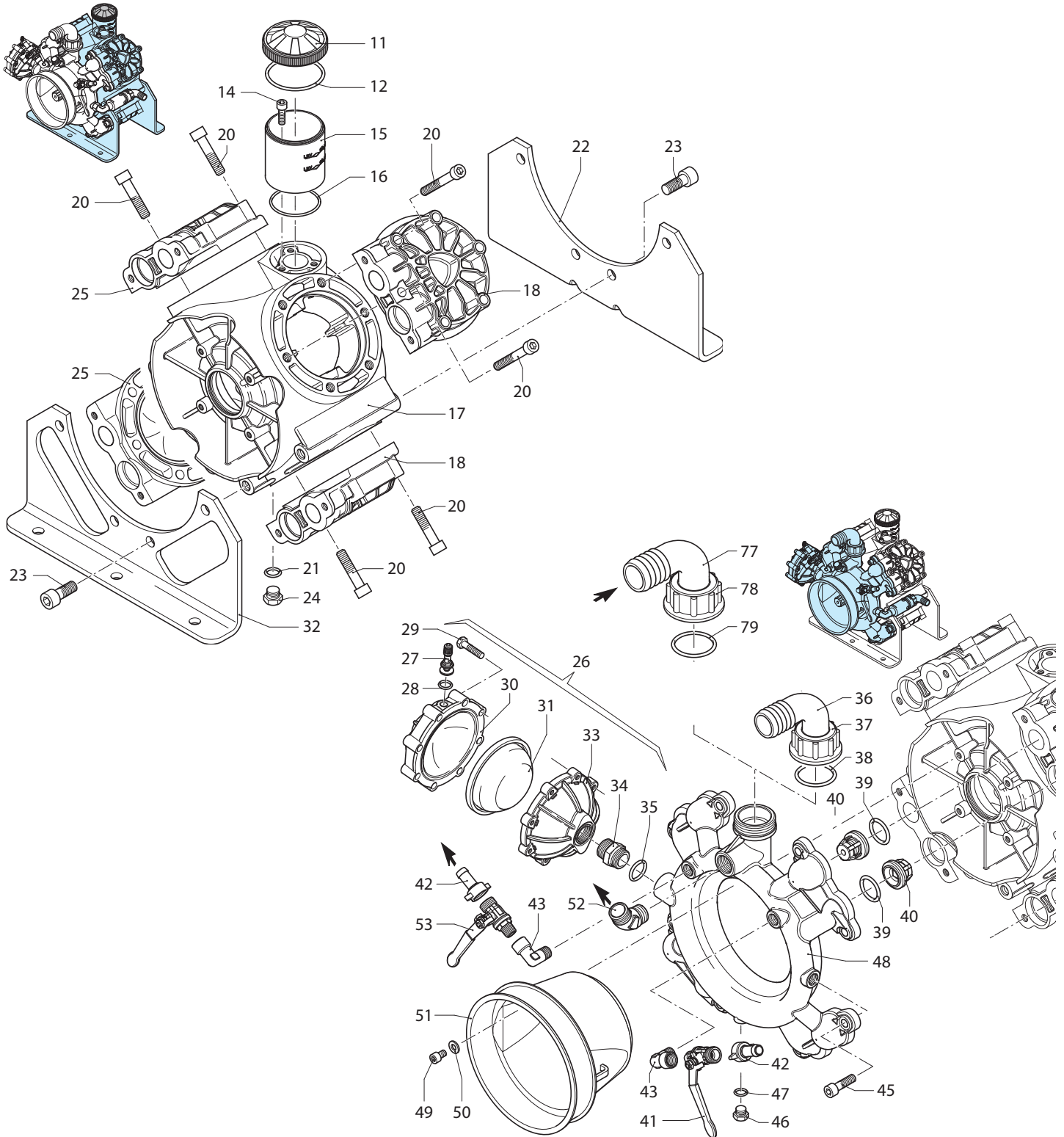
PHX500T-1 Breakdown

Ref#	Qty.	Part Number	Description
133	1	T1081	Poultry House Sprayer, Pump Mount
134	3	T1082	Poultry House Washer, Hose Holder
135	1	T1083	Poultry House Washer, Hose Holder
136	1	T1084	Poultry House Washer, mounting tee
137	2	T220 *	Wheel and tire assembly, 11L - 15" x 10"
138	7	T34S	Tee, 3/4" FPT, stainless
139	1	T477	Hitch Weldment
140	1	T486	Hose guide
141	1	T499	Trailer Chain, Small Trailer
142	2	T551	Hand rail bracket
143	1	T816	Bolt, U-Bolt Square 1/4-20 x 2" x 1-1/2" Zinc Hyd Hose Holder
144	4	WN38	Wing nut, 3/8"
145	1	YLS15040 *	Strainer, 1.5in FPT W/40 Mesh Y Strainer
147	2	DE115	Decal, Read Owners Manual
149	1	DEMT3980	Decal, Warning Avoid Injury Follow Labels
150	2	CB38*1G5	Carriage bolt, 3/8-16 x 1" grade 5
151	1	CP11516	Clip Pin .125" x 1-15/16" 7/16"E

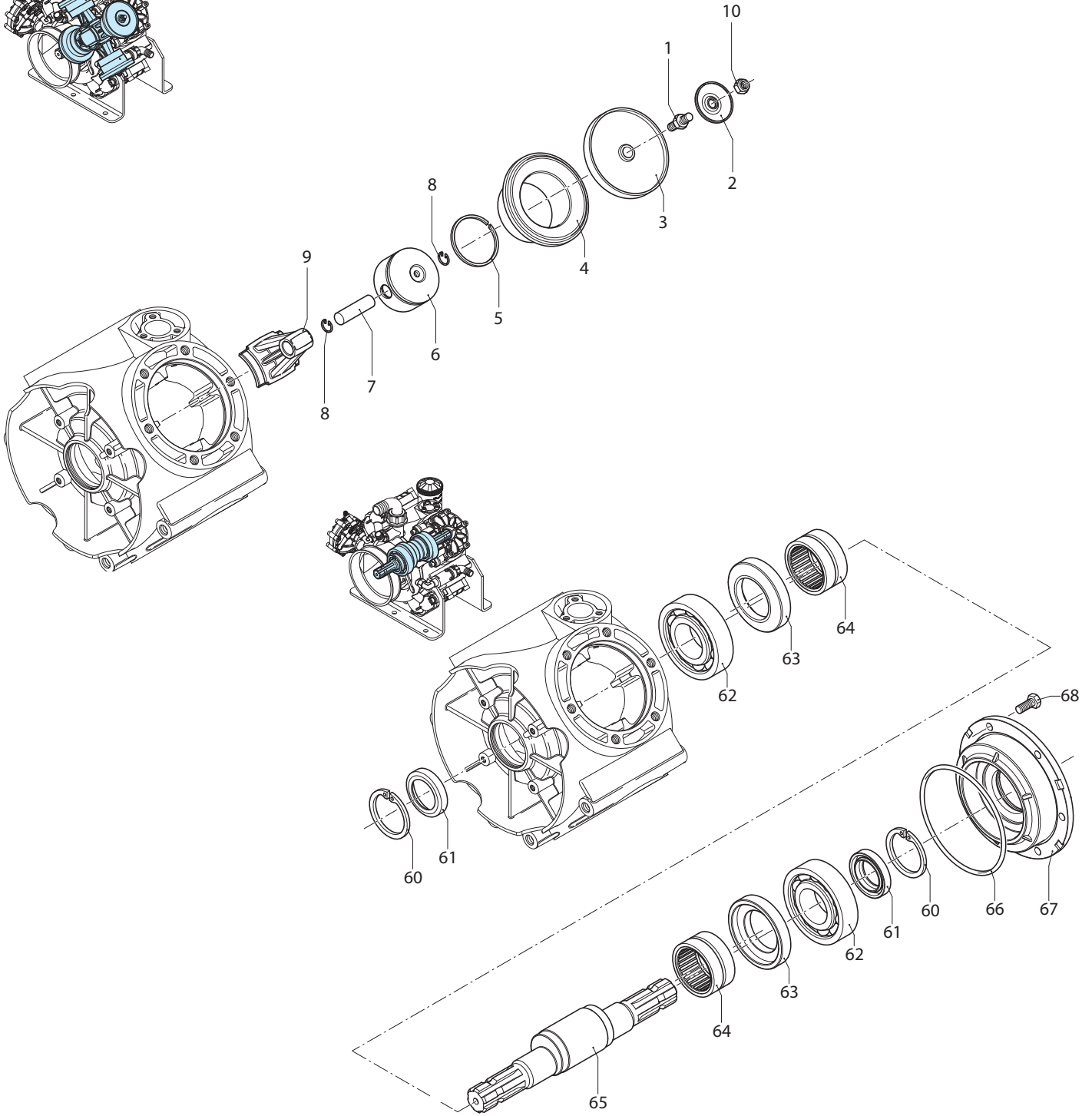
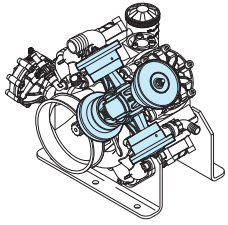
*See support page for component breakdown.

BHA170-C/C Breakdown

Pump, 4 diaphragm, 1 1/2" Inlet, 3/4" Outlet, 550rpm, 39gpm, 725psi, 1-3/8"-6 spline male



BHA170-C/C Breakdown



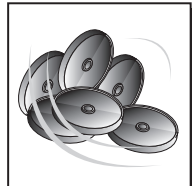
BHA170-C/C Breakdown

Pos	Code	Discription	Qty	Note
1	2240100	Hub pin	4	T265*
2	580090	Wobble plate	4	
3	2240085	Diaphragm	4	Desmopan
4	2240560	Sleeve	4	
5	2240570	Piston ring	4	
6	2240550	Piston Ø 76	4	
7	2240580	Pin	4	
8	160691	Ring circlip Øi 18	8	
9	2380050	Connecting-rod	4	
10	2240110	Nut M10	4	SS T265*
11	1800060	Plug black	1	
12	1040060	O-ring Ø 72.69x2.62	1	
14	540290	Screw TCEI M8x25	3	T90*
15	2240070	Tank	1	
16	2240270	O-ring Ø 67.95x2.62	1	
17	2380011	Pump body	1	
18	2240452	Head marked DX	2	
20	2240470	Screw TCEI M12x70	24	T445*
21	180101	O-ring Ø 17.5x2	1	
22	2380040	Foot	1	
23	2380060	Screw TCEI M14x35	8	T445*
24	820361	Plug 1/2" G brass	1	T180*
25	2240453	Head marked SX	2	
26	1527	Air chamber	1	
27	180020	Air valve	1	T35*
28	650542	Gasket	1	
29	380410	Screw TCEI M8x40	8	T180*
30	620234	Semi air chamber upper	1	Anodized
31	550190	Semi air chamber	1	NBR
32	2380030	Foot	1	
33	2240481	Halfball lower	1	
34	2240490	Fitting	1	Brass
35	720030	O-ring Ø 22.22x2.62	1	
36	540550	Elbow 1 1/2"	1	
37	540540	Ring nut 1" 3/4 G	1	
38	250310	O-ring Ø 36.14x2.62	1	
39	680070	O-ring Ø 31.5x4.25	8	
40	759051	Valve	8	
41	130491	Ball valve 3/8" G - 1/2" G M-M DX	1	
42	110130	Ring nut 1/2"	2	
43	900210	Fitting 3/8" G M-F	2	
45	650330	Screw TCEI M10x35	8	T355*

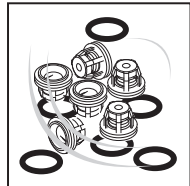
BHA170-C/C Breakdown

Pos	Code	Discription	Qty	Note
46	880581	Plug 1/4" G	1	T180*
47	820510	O-ring Ø 10.82x1.78	1	
48	2380071	Line asp./manifold	1	
49	850250	Screw TCEI M8x12	4	T90*
50	390311	Washer	4	
51	1500470	Shield	1	
52	851650	Elbow manifold	1	
53	130492	Ball valve 3/8" G - 1/2" G M-M SX	1	
60	2240160	Ring circlip Øi 62	2	
61	2240150	Ring seal	2	
62	2240430	Bearing	2	
63	2240121	Ring connecting rod	2	
64	850320	Bearing	2	
65	2240173	Shaft C/C m-BE	1	
66	2240290	O-ring Ø 152.7x2.62	1	
67	2240020	Flange	1	
68	160670	Screw TE M10x25	6	T355*
71	2240390	Ring connecting rod	1	
72	2240400	Plate	1	
73	2240380	Bearing	1	
74	1800090	Ring seal	1	
75	620330	Ring circlip Øi 65	1	
77	760020	Elbow 2"	1	
78	760040	Ring nut 2" G	1	
79	620210	O-ring Ø 40.95x2.62	1	

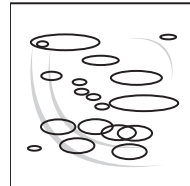
* Torque: in-lbs +/- 10%



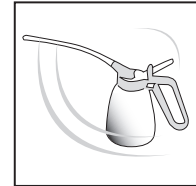
AR 43322 Desmopan diaphragms	
Pos.	Qty
3	4
31	1
39	8



AR 2374 Valves	
Pos.	Qty
39	8
40	8



AR 2457 O-Rings	
Pos.	Qty
12	1
16	1
21	1
35	1
38	1
39	8
47	1
57	1
66	1



Suggested oil	
Type	Oz
AR64516	16

Crankcase Oil
Capacity 119 oz

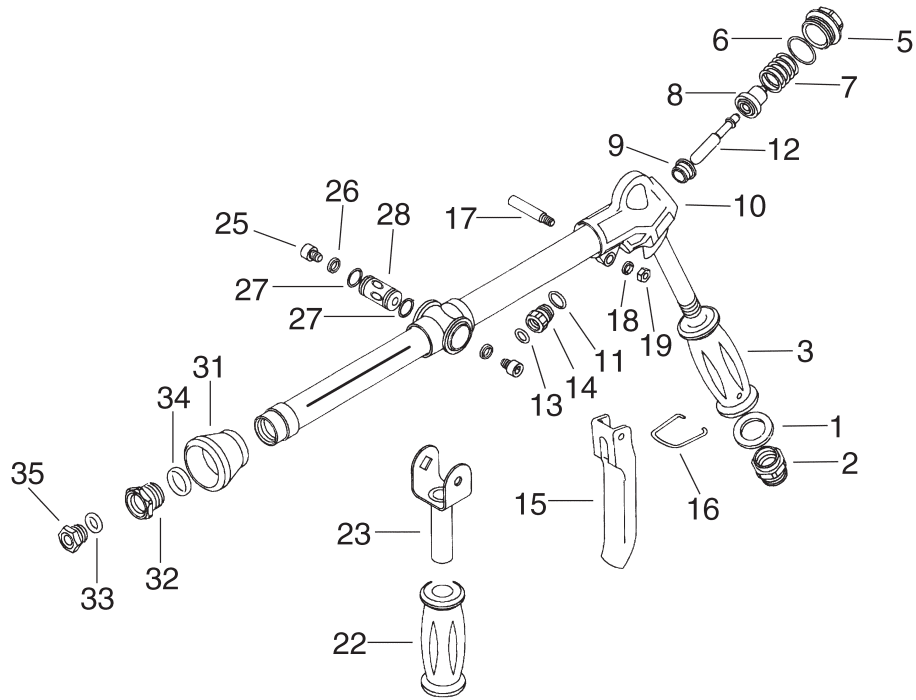
9910GH50 Breakdown

Ref#	Qty.	Part Number	Description
23	2	620610	Bolt
24	1	550394	Flange 3/4" G(F)
25	4	550350 *	O-ring
31	1	1880290	Pressure gauge
32	1	130170	Pipe reducer
35	1	280220 *	O-Ring
36	2	130171	Plug
38	1	550370 *	Elbow
39	1	550242	Ring Nut
40	1	390740 *	Diaphragm (Buna)
41	1	680412	Valve body
42	1	680423	Upper valve side
43	1	680432	Discharge flange
44	1	680442	Tension adj. support
45	1	680460 *	Valve seat
46	1	680470 *	Valve
47	1	680480	Valve piston
48	1	680490	Piston valve
49	1	680500	Regulating spring
50	1	680510	Spring guide
51	1	680520	Lever guide
52	1	680530	Pin
53	2	680540	Pin
54	1	680550	Pin
55	1	680700	Bolt
56	4	680570	Bolt
58	1	660130	Control Knob
59	1	180150	Nut
63	1	680452	Control Lever
65	1	320420 *	Spring

* Components are included in the AR1936 repair kit.

3381-0010 Breakdown

Spray gun, adjustable pattern, 1/2" MNPT inlet



3381-0010 Breakdown

Ref#	Qty.	Part Number	Description
1	1	9920-232	Washer
2	1	9920-230B	Inlet Port
3	1	9920-193	Hand Grip
5	1	9920-231	Plug
6	1	9920-3100 *	O-ring
7	1	9920-233	Spring
8	1	9920-71903.1 *	Poppet
9	1	9920-129 *	Seat
10	1	9920-7.1615.3	Body, Welded Assy for -0010
11	1	9920-2050 *	O-ring
12	1	9920-239	Plunger
13	1	9920-109 *	O-ring
14	1	9920-241	Guide
15	1	9920-246	Trigger
16	1	9920-245C	Locking Clip
17	1	9920-194	Pin
18	1	9920-1751	Washer
19	1	9920-5587-68	Nut
22	1	9920-192	Front Grip
23	1	9920-247	Bracket
25	2	9920-5931	Bolt
26	2	9920-1751	Washer
27	2	9920-119 *	O-ring
28	1	9920-237	Regulator
31	1	9920-183	Shroud
32	1	9920-158	Nozzle retainer
33	1	9920-115 *	O-ring
34	1	9920-124 *	O-ring
35	1	Nozzles	3385-2300, -3000, -3500, -4000, -4500, -5000, -5500, -6000, -7000
36	1	9910-110130	Hose Barb, wing nut, gasket

* Components are available to order in Repair Kit 9920-KIT10.

3381-0010 Breakdown

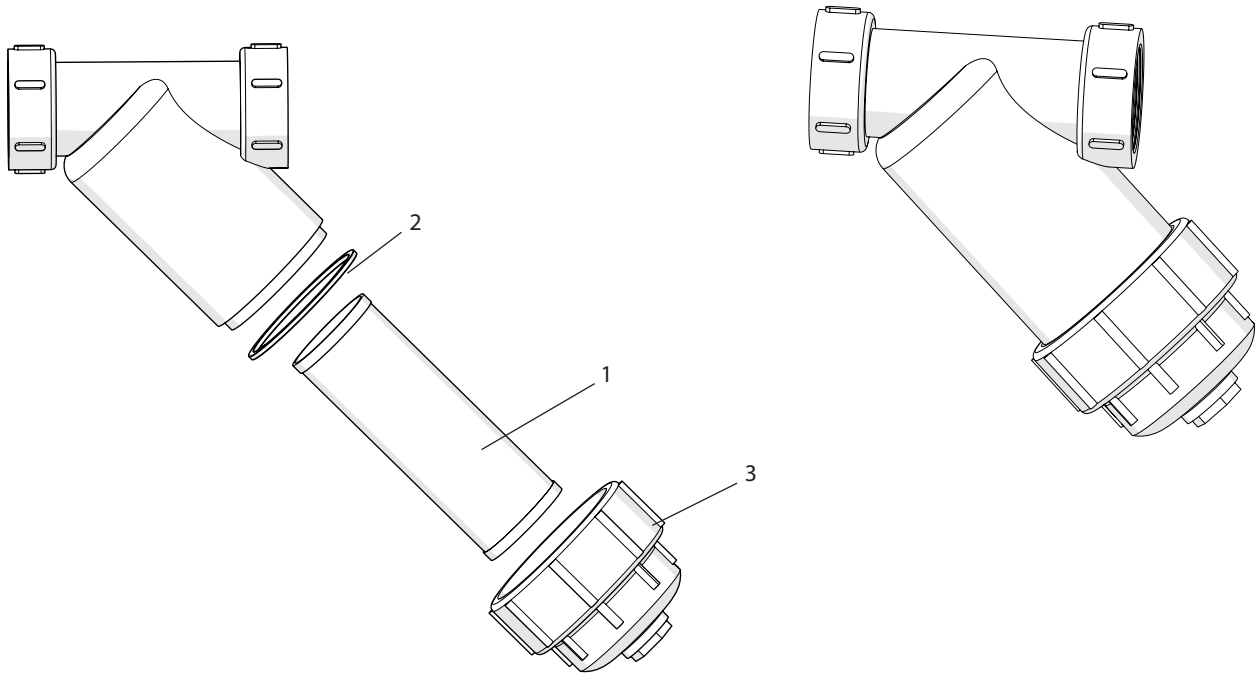
HYPRO MODEL NUMBER	ORIFICE DIAMETER (mm)	EQUIVALENT NOZZLE NUMBER	PERFORMANCE	PRESSURE SETTING (PSI) **													
				200 PSI		350 PSI		500 PSI		600 PSI		650 PSI		700 PSI		850 PSI	
				Cone	Straight	Cone	Straight	Cone	Straight	Cone	Straight	Cone	Straight	Cone	Straight	Cone	Straight
3385-2300	2.3	14	-0010 Flow (GPM)	2.1	2.8	2.7	3.6	3.3	4.4	3.7	4.8	3.9	5.0	4.0	5.2	4.4	5.5
			-0011 Flow (GPM)	2.8	2.8	3.7	3.7	4.5	4.5	4.9	5.1	5.1	5.3	5.3	5.7	5.7	
			MAX THROW (FT)*	11.4	29.0	12.9	33.9	14.8	37.9	16.6	41.5	17.0	41.7	17.7	42.0	19.0	45.7
3385-3000	3.0	23	-0010 Flow (GPM)	2.9	5.3	3.8	6.8	4.7	8.1	5.2	8.9	5.4	9.2	5.6	9.6	6.2	10.6
			-0011 Flow (GPM)	5.3	5.3	6.8	6.9	8.0	8.2	8.8	9.1	9.1	9.4	9.4	9.8	10.3	10.7
			MAX THROW (FT)*	11.7	29.2	12.9	33.9	13.8	36.2	15.6	40.8	16.0	40.7	16.2	42.0	17.0	44.1
3385-3500	3.5	29	-0010 Flow (GPM)	3.7	7.4	4.9	9.7	6.1	11.5	6.7	12.6	6.9	13.1	7.2	13.5	7.9	14.6
			-0011 Flow (GPM)	7.0	7.6	9.0	9.8	10.7	11.7	11.5	12.8	11.9	13.4	12.2	13.9	12.8	15.2
			MAX THROW (FT)*	13.6	36.2	19.0	41.2	22.6	45.3	25.5	50.0	25.5	51.0	27.0	51.5	28.8	54.0
3385-4000	4.0	40	-0010 Flow (GPM)	4.2	9.5	5.6	12.1	6.8	14.4	7.5	15.8	7.7	16.5	8.0	17.1	8.7	18.7
			-0011 Flow (GPM)	8.1	9.5	10.3	12.2	12.0	14.6	13.0	16.0	13.4	16.7	13.7	17.3	14.5	19.0
			MAX THROW (FT)*	15.1	37.7	20.6	42.8	24.3	47.0	27.2	53.0	27.2	54.0	28.5	55.0	29.0	59.0
3385-4500	4.5	54	-0010 Flow (GPM)	4.8	11.5	6.2	14.9	7.4	17.9	8.2	19.7	8.5	20.5	8.8	21.2	9.4	23.2
			-0011 Flow (GPM)	9.6	11.6	11.6	15.1	13.3	18.1	14.3	19.7	14.7	20.6	15.2	21.4	16.3	23.5
			MAX THROW (FT)*	18.1	39.2	22.2	44.3	26.0	50.1	30.6	54.0	30.6	56.0	31.0	57.0	31.5	62.0
3385-5000	5.0	67	-0010 Flow (GPM)	5.4	13.1	7.0	16.8	8.4	20.2	9.2	22.0	9.6	22.8	9.6	23.8	10.7	25.9
			-0011 Flow (GPM)	10.2	13.2	12.5	17.0	14.6	20.4	15.9	22.0	16.4	23.0	17.0	23.6	18.4	25.6
			MAX THROW (FT)*	19.6	40.7	23.8	47.0	27.5	53.3	32.3	59.0	32.3	61.0	32.8	62.0	32.8	67.0
3385-5500	5.5	79	-0010 Flow (GPM)	6.0	15.0	7.7	19.2	9.3	23.1	10.2	25.4	10.6	26.5	11.0	27.6	12.0	30.5
			-0011 Flow (GPM)	10.7	15.4	13.7	20.2	16.1	24.1	17.5	26.2	18.2	27.1	18.7	28.0	20.2	29.8
			MAX THROW (FT)*	19.6	42.2	23.8	50.7	29.0	57.0	34.0	63.0	34.0	64.0	34.5	65.0	34.5	70.0
3385-6000	6.0	91	-0010 Flow (GPM)	5.9	16.6	7.6	21.0	8.6	25.6	9.2	27.8	9.6	29.0	9.7	30.1	10.2	32.0
			-0011 Flow (GPM)	11.3	17.2	14.6	21.6	16.9	25.8	18.6	28.4	19.6	29.6	20.3	30.9	21.9	34.3
			MAX THROW (FT)*	21.1	43.7	25.3	54.0	30.7	60.0	35.6	66.0	35.6	67.0	36.0	68.0	36.0	74.0
3385-7000	7.0	117	-0010 Flow (GPM)	6.7	20.0	8.8	26.2	10.8	30.5	12.1	33.4	12.6	34.7	13.2	36.0	14.8	39.1
			-0011 Flow (GPM)	12.7	19.6	16.1	25.2	19.2	29.8	20.9	32.4	21.8	33.5	22.5	34.6	24.5	37.1
			MAX THROW (FT)*	21.1	46.8	25.3	57.0	30.7	63.0	37.4	70.0	37.4	71.0	38.0	72.0	38.0	77.0

*Figures shown are guidelines for vertical throw.

** Pressures based on relief valve settings at straight throw.

YLS15040 Breakdown

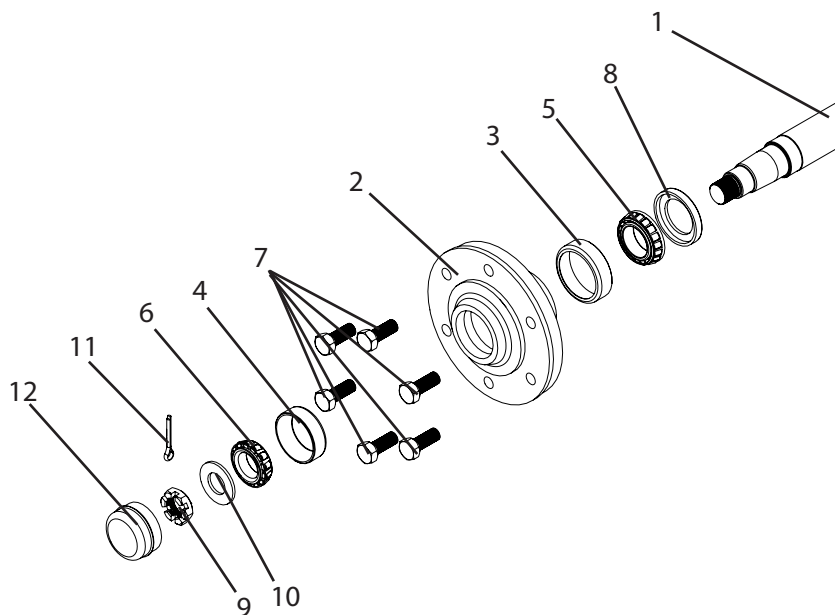
Strainer, 1.5 in FPT W/40 Mesh Y Strainer, flush out



Ref #	Qty.	Part Number	Description
1	1	61509	Screen, 40 Mesh Y Strainer
2	1	61561	Strainer gasket, Y-line, 1 1/2" & 2"
3	1	61567	Cap only/w plug & Plug O-Ring

T1043 Breakdown

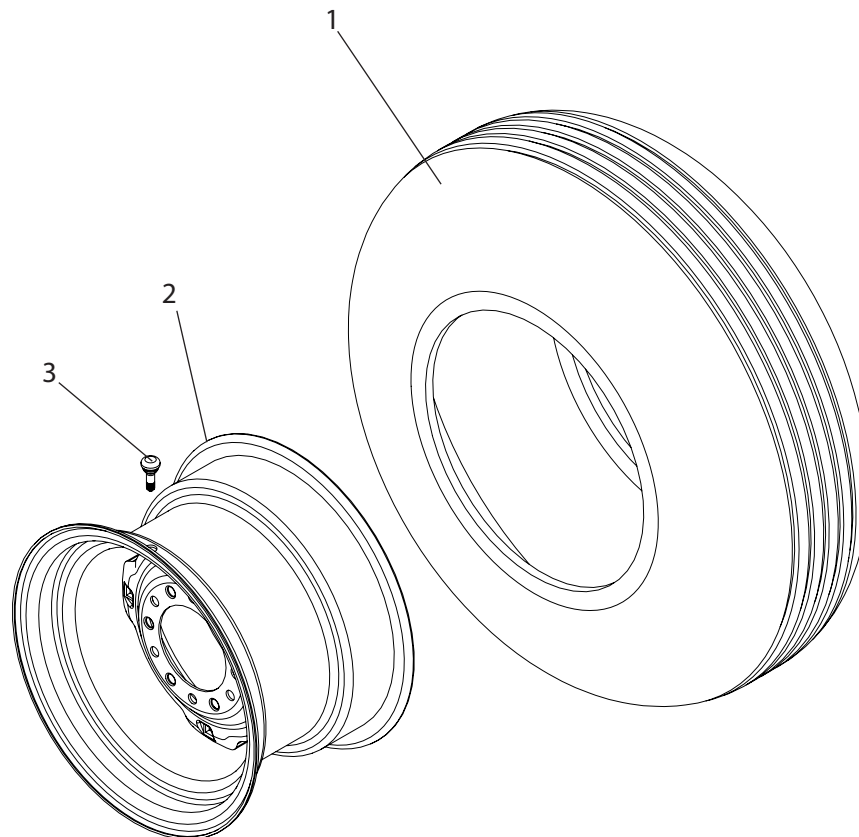
Poultry House Sprayer, Spindle, 4000 lbs, bolt-on



Ref#	Qty.	Part Number	Description
1	1	T1043	Poultry House Sprayer, Spindle, 4000 lbs, bolt-on
2	1	HO4000	Hub cupped only (no bearings) 4000#
3	1	LM29710	Bearing Cup 2.562" OD
4	1	LM67010	Bearing Cup 2.328" OD
5	1	LM29749	Tapered Bearing 1.50" ID
6	1	LM67049	Tapered Bearing 1.25" ID
7	6	SP4001	Wheel bolt 4,000 lb capacity 9/16-18 x 1 1/4"
8	1	S4000	Seal 1.75" ID x 2.561" OD x .25" W
9	1	SP4003	Castle Nut 1"-14 Fine
10	1	SP4004	Sae Washer 1"
11	1	CT316x2	Cotter pin 3/16" x 2"
12	1	D4000	dust cap for 4000 lb hub 2.333" OD

T220 Breakdown

Wheel & Tire Assembly, 11L-15" x 10"



Ref#	Qty.	Part Number	Description
1	1	11L	Tire, 11L-15" 8 Ply Tubeless
2	1	R1015	Rim, 10" x 15" 6-Hole 3800 LB JD Yellow #572
3	1	TR415	Stem, Tire Valve